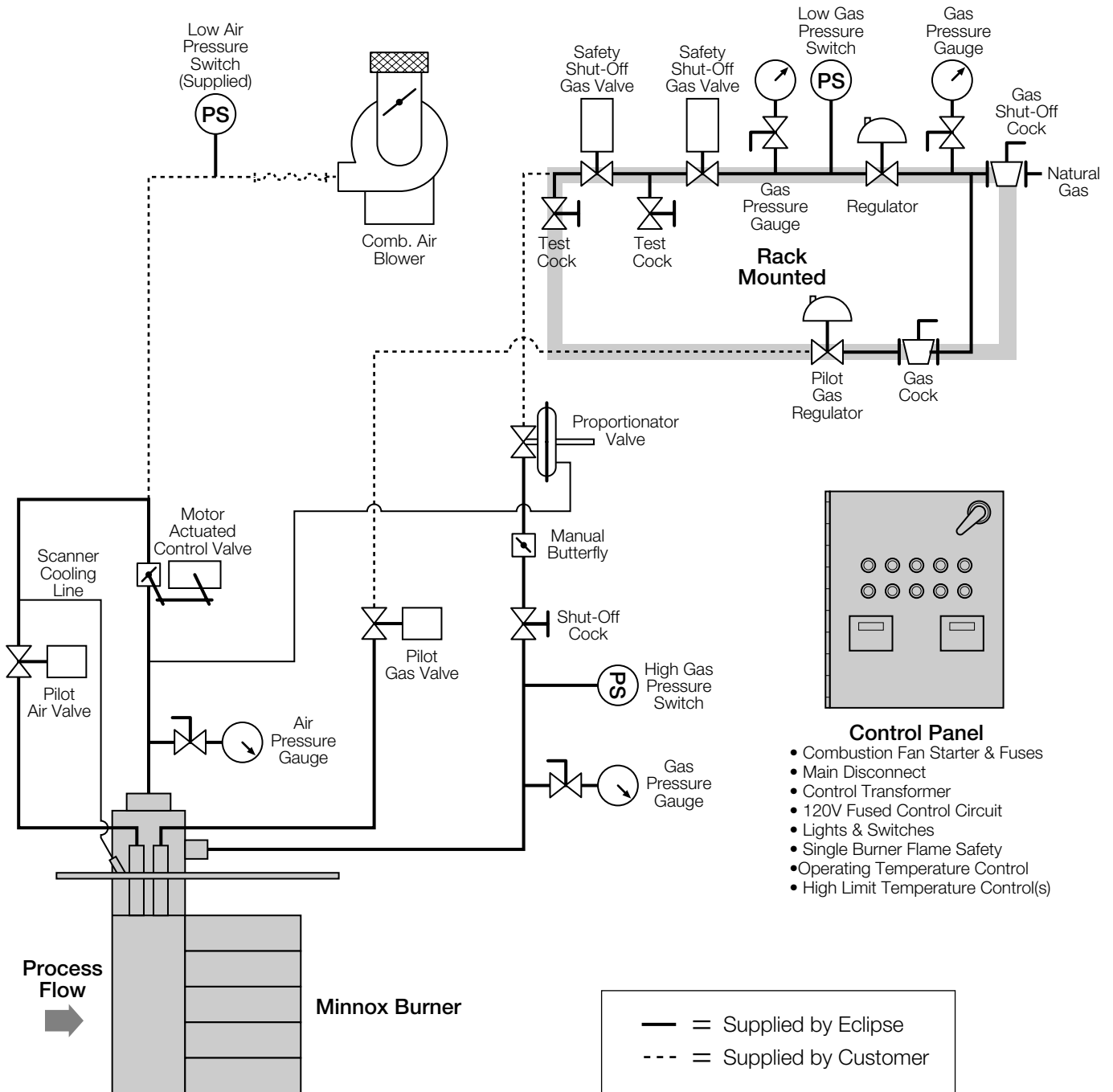


ECLIPSE MINNOX BURNER

Data 158-1

6/94

Typical Systems Components



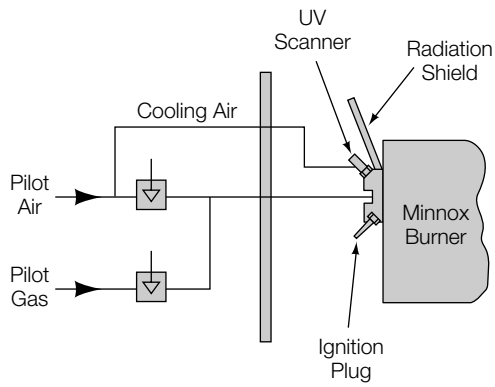
NOTE: See page 2 for pilot options.



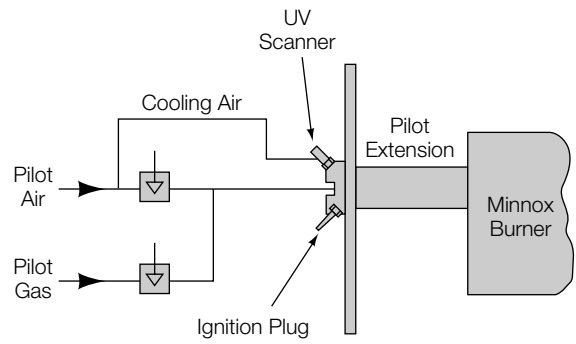
ECLIPSE COMBUSTION

Pilot Options

Option A
Recommended for Fresh Air Systems



Option B
Recommended for all Recirculation Systems





Offered By:

Power Equipment Company
2011 Williamsburg Road
Richmond, Virginia 23231
Phone (804) 236-3800
Fax (804) 236-3882

www.peconet.com